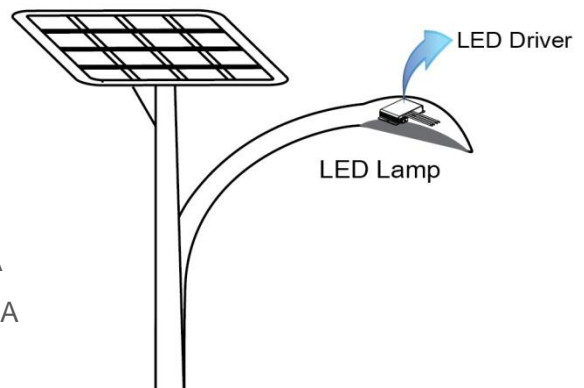


High Efficiency LED Driver

DCCP-DPRI series



DCCP-DPRI Series DC LED driver adopts the step-up voltage control, constant current driver design. The rated current range and working time is adjustable via infrared communication. The IP68 protection allows this series to fit both indoor and outdoor LED lightings, especially for solar LED lighting application.

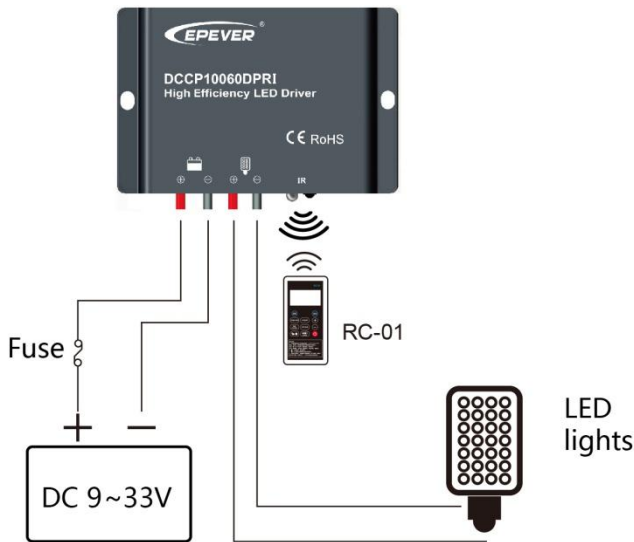


Models :

- DCCP6060DPRI 30W/12V 60W/24V 2.0A
- DCCP10060DPRI 50W/12V 100W/24V 3.3A

Features :

- Maximum output efficiency of 95.7%
- Flexible dimming function (0-100%)
- Input surge suppression function
- Programmable via IR communication
- Wide working environment temperature (-40°C ~ 80°C)
- Long lifespan design
- Fully encapsulated PCB, IP68 protection (1.5 meters, 72h)
- Aluminum housing for better cooling



Accessories :



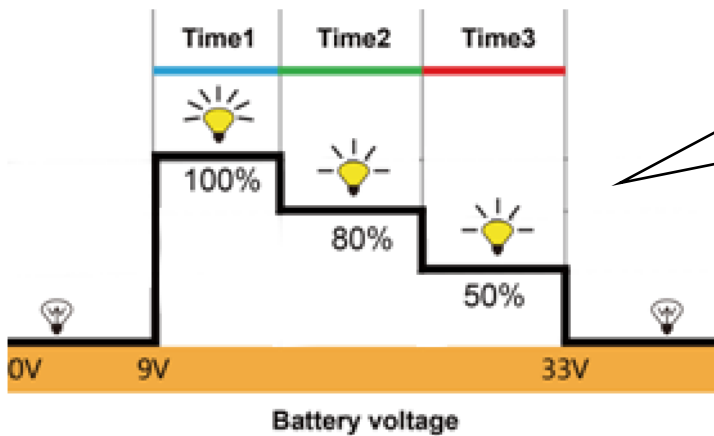
Infrared Communication Remoter RC-01

Electronic protections:

- Input reverse polarity protection
- Input over voltage protection
- Output short circuit protection
- Input surge suppression protection
- Input under voltage protection

Load working mode:

- Three time interval control



The LED rated current percentage of LED driver can be set (0 ~ 100%)

Technical Specifications:

Model	DCCP6060DPRI	DCCP10060DPRI
Input voltage range	9V~33V	
Input surge voltage	3A/12V;6A/24V	6A/12V;12A/24V
Max. output current	2.0A	3.3A
Max. output power	30W/12V;60W/24V	50W/12V;100W/24V
Output voltage range	(Input voltage+2V)~60V	
Load open circuit voltage	60V	
Maximum output efficiency	95.7%	
Output current control accuracy	≤30mA	
Over voltage protection	17V/12V; 34V/24V	
Under voltage protection	8.5V/12V; 17V/24V	
Self-consumption	12V: ≤10mA; 24V: ≤14mA	
Communication	IR	
Communication distance	≤6m	
Overall dimension	108.5x58x25.6mm	108.5x79x25.6mm
Net weight	0.25kg	0.34kg
Mounting hole size	100.5mm	
Power cable	18AWG/1.0mm ²	
Enclosure	IP68(1.5m,72h)	
Working environment temperature	-40° C ~+80 ° C	
Humidity range	≤95% (N.C.)	



BEIJING EPSOLAR TECHNOLOGY CO.,LTD.
 Add: BLDG #18, CO.PARK ,NO.8 HEYING
 ROAD,CHANGPING DISTRICT,BEIJING,CHINA
 Tel: 86-10-82894962 / 82894112
 Fax: 86-10-82894882
 E-mail: info@epsolarpv.com